

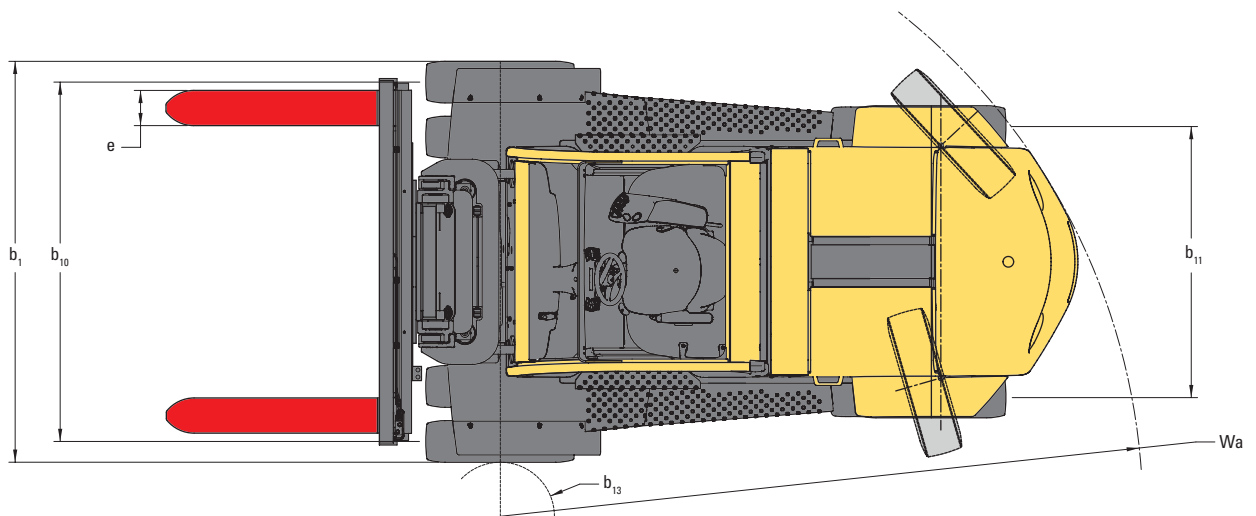
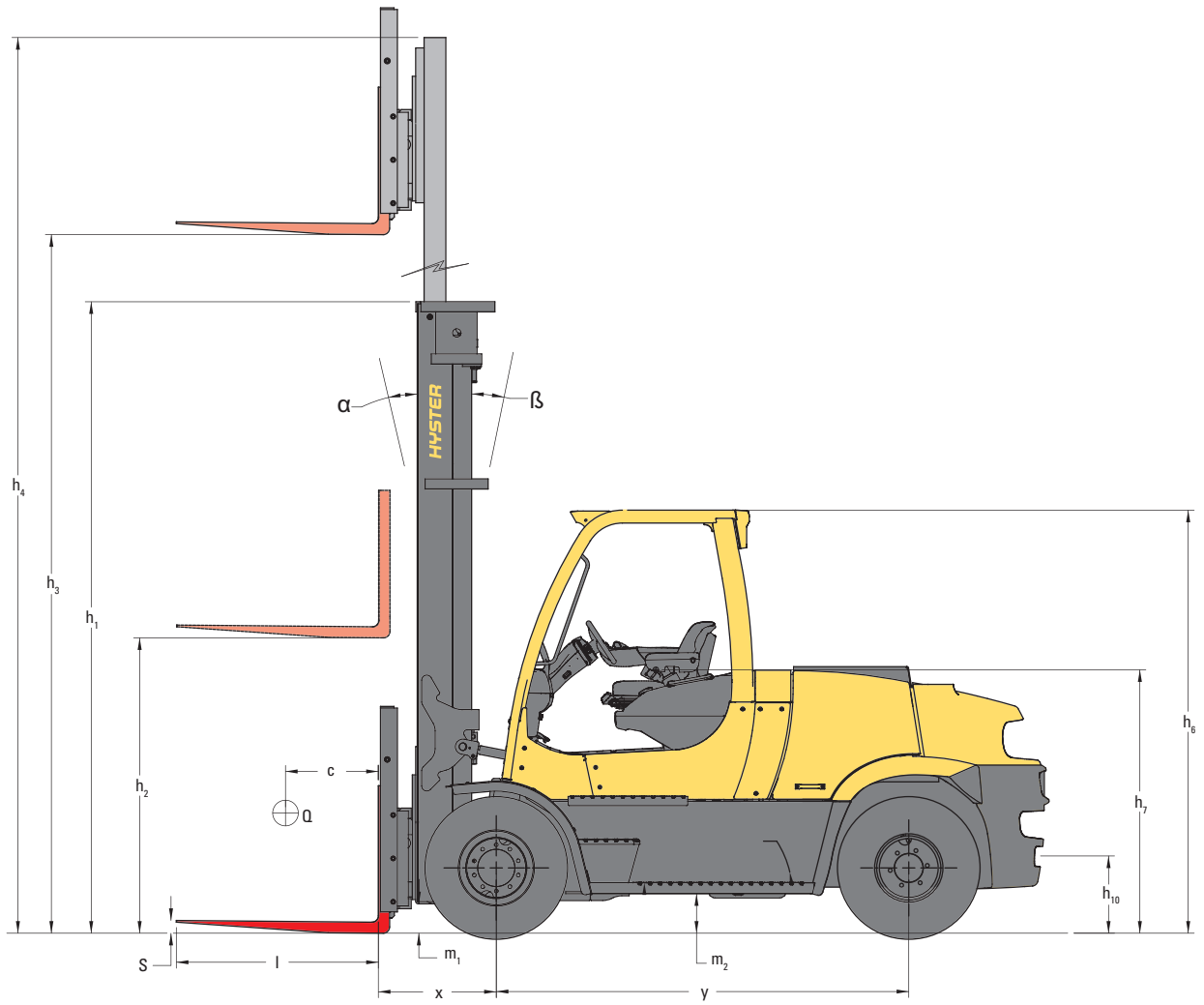


**STRONG PARTNERS.
TOUGH TRUCKS.™**



J7.0-9.0XNL SERIES TECHNICAL GUIDE





MAST AND CAPACITY INFORMATION

J7.OXNSL RATED CAPACITY KG@ 600 MM LOAD CENTRE

	Maximum fork height h ₃ + s (mm)	Back tilt (°)	Lowered height h ₁ (mm)	Extended height h ₄ (mm)	Free lift height h ₂ + s (m) (2)	8.25 x 15-14 Dual pneumatic drive tyres		
						Carriage without sideshift (kg)		Carriage with ISS (kg)
						J7.OXNSL		J7.OXNSL
2-STAGE LIMITED FREE LIFT	3000	10	2516	4417	100	7000	6830	6500
	3400	10	2716	4817	100	7000	6810	6490
	4400	10	3216	5817	100	7000	6770	6450
	5400	10	3716	6817	100	7000	6730	6420
	6000	10	4116	7417	100	6830	6530	6230
3-STAGE FULL FREE LIFT	4700	6	2576	6118	100	7000	6510	6210
	5600	6	2876	7018	100	6920	6410	6120
	6200	6	3126	7618	100	6750	6210	5930

J7.OXNSL9 RATED CAPACITY KG@ 900 MM LOAD CENTRE / J8.OXNSL/J9.OXNL RATED CAPACITY KG@ 600 MM LOAD CENTRE

	Maximum fork height h ₃ + s (mm)	Back tilt (°)	Lowered height h ₁ (mm)	Extended height h ₄ (mm)	Free lift height h ₂ + s (m) (2)	8.25 x 15-14 Dual pneumatic drive tyres								
						Carriage without sideshift (kg)			Carriage with sideshift (kg)			Carriage with ISS (kg)		
						J7.OXNSL9	J8.OXNSL	J9.OXNL	J7.OXNSL9	J8.OXNSL	J9.OXNL	J7.OXNSL9	J8.OXNSL	J9.OXNL
2-STAGE LIMITED FREE LIFT	3065	9	2712	4350	0	7000	8000	9000	6600	8000	8500	6560	8000	8460
	3565	9	2962	4850	0	7000	8000	9000	6590	8000	8490	6550	8000	8440
	4565	9	3462	5850	0	7000	8000	9000	6570	8000	8470	6530	8000	8420
	5565	9	3962	6850	0	7000	8000	8700	6550	8000	8170	6510	8000	8130
	6065	9	4212	7350	0	6760	7730	8080	6320	7730	7580	6290	7730	7530
3-STAGE FULL FREE LIFT	4615	6	2702	6077	1565	7000	8000	9000	6580	8000	8500	6560	8000	8470
	5515	6	3002	7977	1865	7000	8000	8820	6560	8000	8310	6540	8000	8280
	5965	6	3152	7427	2015	6950	7940	8270	6510	7940	7780	6480	7940	7750

J8.OXNL9 RATED CAPACITY KG@ 900 MM LOAD CENTRE

	Maximum fork height h ₃ + s (mm)	Back tilt (°)	Lowered height h ₁ (mm)	Extended height h ₄ (mm)	Free lift height h ₂ + s (m) (2)	8.25 x 15-14 Dual pneumatic drive tyres		
						Carriage without sideshift (kg)		Carriage with ISS (kg)
						J8.OXNL9		J8.OXNL9
2-STAGE LIMITED FREE LIFT	3065	9	2712	4390	0	8000	7600	7580
	3565	9	2962	4898	0	8000	7590	7560
	4565	9	3462	5898	0	8000	7550	7530
	5565	9	3962	6898	0	7910	7440	7410
	6065	9	4212	7398	0	7760	7280	7260
3-STAGE FULL FREE LIFT	4615	6	2712	6125	1405	8000	7570	7550
	5515	6	3012	7025	1705	7760	7320	7290
	5965	6	3162	7475	1855	7630	7180	7150

NOTES:

Specifications are affected by the condition of the vehicle and how it is equipped, as well as the nature and condition of the operating area. Inform your dealer of the nature and condition of the intended operating area when purchasing your Hyster® truck.

- (1) For STD 2LFL Mast Config.
 - (2) W/o load backrest.
 - (3) OHG Only, No Cab.
 - (4) Under Mast Channels.
 - (5) Extended Shift Off (Max Performance)
 - (6) 7@6, 7T@9 and 8T@6 Capacities shown w/ BTA
 - (7) Nominal values
 - (8) W/ cab values from 9T, W/o cab values from 7T
 - (9) Includes 200mm aisle clearance
- All capacities are according to EN1551.

NOTICE:

Care must be exercised when handling elevated loads. Operators must be trained and must read, understand and follow the instructions contained in the Operating Manual.


All values are nominal values and they are subject to tolerances. For further information, please contact the manufacturer.

Hyster products are subject to change without notice.

Lift trucks illustrated may feature optional equipment. Values may vary with alternative configurations.

CERTIFICATION: Hyster lift trucks meet the design and construction requirements of B56.1-1969, per OSHA Section 1910.178(a)(2), and also comply with the B56.1 revision in effect at time of manufacture. Certification of compliance with the applicable ANSI standards appears on the lift truck. Performance specifications are for a truck equipped as described under Standard Equipment on this Technical Guide. Performance specifications are affected by the condition of the vehicle and how it is equipped, as well as by the nature, condition of the operating area, proper service and maintenance of the vehicle. If these specifications are critical, the proposed application should be discussed with your dealer.

NOTE: Specifications, unless otherwise listed, are for a standard truck without optional equipment.

 Safety: This truck conforms to the current EU and ANSI requirements.

Specification data is based on VDI 2198.



J7.0XNSL / J7.0XNSL9 SPECIFICATIONS

GENERAL	1-1		HYSTER				HYSTER					
		Manufacturer		HYSTER				HYSTER				
	1-2	Model designation	J7.0XNSL				J7.0XNSL9					
	1-3	Powertrain / drivetrain	Electric (battery)				Electric (battery)					
	1-4	Operator type	Seated				Seated					
	1-5	Rated capacity / rated load	Q	kg	7,000		7,000					
	1-6	Load centre distance	c	mm	600		900					
	1-8	Load distance	x	mm	609		614					
	1-9	Wheelbase	y	mm	2,235		2,235					
WEIGHT	2-1	Service weight		kg	10,902		11,979					
	2-2	Axle loading with load, front / rear		kg	15,193	2,710	16,583	2,396				
	2-3	Axle loading without load, front / rear		kg	4,406	6,496	4,843	7,136				
WHEELS	3-1	Tyre type			Pneumatic				Pneumatic			
	3-2	Tyre size, front			8.25x15 14PR				8.25x15 14PR			
	3-3	Tyre size, rear			8.25x15 14PR				8.25x15 14PR			
	3-5	Wheels, number front / rear (x = driven wheels)			x4	2	x4	2				
	3-6	Tread, front	b ₁₀	mm	1,847		1,847					
	3-7	Tread, rear	b ₁₁	mm	1,536		1,536					
DIMENSIONS	4-1	Mast tilt, forward / backward	α/β	deg	5°	10°	5°	9°				
	4-2	Height, mast lowered (1)	h ₁	mm	2,540		2,712					
	4-3	Free lift (1)	h ₂	mm	100		0					
	4-4	Lift (1)	h ₃	mm	2,940		3,000					
	4-5	Height, mast extended (2)	h ₄	mm	4,040		4,225					
	4-7	Height of overhead guard (3)	h ₆	mm	2,531		2,531					
	4-7-1	Height of cab	h ₆	mm	2,549		2,549					
	4-8	Seat height to SIP	h ₇	mm	1,547		1,547					
	4-19	Overall length	l ₁	mm	4,695		4,770					
	4-20	Length to face of forks	l ₂	mm	3,495		3,570					
	4-21	Overall width	b ₁ /b ₂	mm	2,082	1,784	2,082	1,784				
	4-22	Fork dimensions ISO 2331	s/e/l	mm	60	150	1,200	6	200	1,200		
	4-23	Fork carriage type			IV A				IV A			
	4-24	Fork carriage width (5)	b ₃	mm	1,980		2,030					
	4-31	Ground clearance, laden, below mast (4)	m ₁	mm	125		175					
	4-32	Ground clearance, centre of wheelbase	m ₂	mm	246		246					
	4-33	Load dimensions b ₁₂ x l ₆ crossways	b ₁₂ /l ₆	mm	1 000 x 1 200		1 000 x 1 200					
	4-34	Aisle width with predetermined load dimensions (9)	Ast	mm	4,889		4,959					
	4-34-2	Aisle width with pallets 800 wide x 1 200 crossways (9)	Ast	mm	5,089		5,159					
4-35	Outside turning radius	W _a	mm	3,080		3,145						
4-36	Internal turning radius (6)	b ₁₃	mm	-90		-90						
PERFORMANCE	5-1	Travel speed, with / without load (5)		km/h	24.0	24.0	24.0	24.0				
	5-1-1	Travel speed, with load / without load backwards (5)		km/h	24.0	24.0	24.0	24.0				
	5-2	Lifting speed, with / without load (5)		m/s	0.43	0.66	0.41	0.46				
	5-3	Lowering speed with / without load		m/s	0.58	0.53	0.41	0.37				
	5-5	Drawbar pull, with / without load (5)		N	48871	25907	48871	28506				
	5-6	Maximum drawbar pull, with / without load		N	49547	25907	49547	28506				
	5-7	Gradeability, with / without load (5)		%	30	24	28	24				
	5-8	Maximum gradeability, with / without load		%	30	24	28	24				
	5-9	Acceleration time, with / without load (5)		sec	9.15	8.76	-	-				
	5-10	Service brake			Hydraulic				Hydraulic			
ELECTRIC DRIVE	6-1	Drive motor rating S2 60 min		kW	45		45					
	6-2	Lift motor rating at S3 15%		kW	60.0		60.0					
	6-3	Battery according to DIN 43531/35/36 A, B, C, no			no				no			
	6-4	Battery voltage/nominal capacity K5 (7)	V	Ah	360	192	360	192				
	6-5	Battery weight (min/max)		kg	664		664					
	6-6	Energy consumption according to VDI cycle	kWh	h	18.9		-					
ADDITIONAL DATA	10-1	Operating pressure for attachments		bar	173		173					
	10-2	Oil volume for attachments	l	min	92.7		92.7					
	10-7	Sound pressure level at the driver's seat (with/without cab) (8)	dB	A	68	67	68	67				
	10-8	Towing coupling, type DIN			Yes / Pin				Yes / Pin			



J8.OXNSL / J8.OXNL9 / J9.OXNL SPECIFICATIONS



GENERAL	1-1		HYSTER		HYSTER		HYSTER	
	Manufacturer		J8.OXNSL		J8.OXNL9		J9.OXNL	
	1-2		Electric (battery)		Electric (battery)		Electric (battery)	
	1-3		Seated		Seated		Seated	
	1-4		Q	kg	8,000		9,000	
	1-5		c	mm	600		900	
	1-6		x	mm	614		663.5	
	1-8		y	mm	2,235		2,450	
	1-9		kg		11,979		12,265	
WEIGHT	2-1		kg		11,979		12,265	
	2-2		kg		17,187	2,793	18,428	1,836
	2-3		kg		4,843	7,136	5,323	6,942
WHEELS	3-1		Pneumatic		Pneumatic		Pneumatic	
	3-2		8.25x15 14PR		8.25x15 14PR		8.25x15 14PR	
	3-3		8.25x15 14PR		8.25x15 14PR		8.25x15 14PR	
	3-5		x4	2	x4	2	x4	2
	3-6		b ₁₀	mm	1,847		2,003	
	3-7		b ₁₁	mm	1,536		1,536	
DIMENSIONS	4-1		α/β	deg	5°	9°	5°	9°
	4-2		h ₁	mm	2,712		3,462	
	4-3		h ₂	mm	0		0	
	4-4		h ₃	mm	3,000		4,500	
	4-5		h ₄	mm	4,225		5,899	
	4-7		h ₆	mm	2,531		2,531	
	4-7-1		h ₆	mm	2,549		2,549	
	4-8		h ₇	mm	1,547		1,558	
	4-19		l ₁	mm	4,770		5,238	
	4-20		l ₂	mm	3,570		4,038	
	4-21		b ₁ /b ₂	mm	2,082	1,784	2,239	1,771
	4-22		s/e/l	mm	60	200	1,200	60
	4-23		Fork carriage type		IV A		IV A	
	4-24		b ₃	mm	2,030		2,030	
	4-31		m ₁	mm	125		175	
	4-32		m ₂	mm	246		253	
	4-33		b ₁₂ /l ₆	mm	1 000 x 1 200		1 000 x 1 200	
	4-34		A _{st}	mm	4,959		5,658	
	4-34-2		A _{st}	mm	5,159		5,858	
	4-35		W _a	mm	3,145		3,794	
4-36		b ₁₃	mm	-90		362		
PERFORMANCE	5-1		km/h		24.0	24.0	21.0	21.0
	5-1-1		km/h		24.0	24.0	24.0	21.0
	5-2		m/s		0.40	0.46	0.32	0.41
	5-3		m/s		0.51	0.37	0.38	0.33
	5-5		N		48871	25806	48933	31331
	5-6		N		49547	25806	49430	31331
	5-7		%		26	24	26	26
	5-8		%		27	24	26	26
	5-9		sec		-	-	8.88	7.69
	5-10		Service brake		Hydraulic		Hydraulic	
ELECTRIC DRIVE	6-1		kW		45		45	
	6-2		kW		60.0		60.0	
	6-3		Battery according to DIN 43531/35/36 A, B, C, no		no		no	
	6-4		V	Ah	360	192	360	192
	6-5		Battery weight (min/max)		664		664	
	6-6		kWh	h	18.9		-	
ADDITIONAL DATA	10-1		bar		173		173	
	10-2		l	min	92.7		92.7	
	10-7		dB	A	68	67	68	67
	10-8		Towing coupling, type DIN		Yes / Pin		Yes / Pin	



FEATURES AND OPTIONS

LIFT	STD	OPT
2 Stage Limited Free Lift Mast	X	
3 Stage Full Free Lift Mast		X
Lift Height - 3000mm (2540mm Lowered Height) - J7.0XNSL	X	
Lift Height - 3065mm (2715mm Lowered Height) - J8.0XNSL J8.0XNL9 J9.0XNL	X	
Various other Lift Heights		X
Mast Tilt - 5° Forward / 10° Back - J7.0XNSL	X	
Mast Tilt - 5° Forward / 9° Back - J8.0XNSL J8.0XNL9 J9.0XNL	X	
Mast Tilt - 5° Forward / 6° Back		X
Mast Tilt - 9° Forward / 5° Back		X
DRIVE	STD	OPT
Traction Speed Limiter (Adjustable)	X	
8.25 x 15-14 PR Pneumatic Drive Tyres	X	
8.25 x R15 Pneumatic Radial Drive Tyres		X
8.25 x 15 Super Elastic Drive Tyres		X
300 x 15 Super Elastic Drive Tyres		X
355/65-20 - Super Elastic Drive Tyres		X
355/50-20 Super Elastic Drive Tyres		X
8.25 X 15 Non-Marking Super Elastic Drive Tyres		X
8.25 X 15 Non-Marking Pneumatic Shaped Solid Drive Tyres		X
8.25 x 15-14 PR Pneumatic Steer Tyre	X	
8.25 R15 Pneumatic Radial Steer Tyre		X
300 x 15 Super Elastic Steer Tyre		X
8.25 X 15 Super Elastic Steer Tyre		X
8.25 x 15 Non-Marking Super Elastic Steer Tyre		X
8.25 x 15 Non-Marking Pneumatic Shaped Solid Steer Tyre		X
HANDLING	STD	OPT
TouchPoint™ mini lever hydraulic controls	X	
TouchPoint™ mini lever hydraulic controls, designed for clamping applications		X
TouchPoint™ mini lever hydraulic controls with Return to Set Tilt		X
TouchPoint™ mini lever hydraulic controls with Return to Set Tilt, designed for Clamping applications		X
1980mm Hook Type Carriage	X	
1805mm Hook Type Carriage		X
2030mm Hook Type Carriage		X
2030mm Hook Type Heavy Duty Carriage		X
1980mm Hook Type Carriage with Hang-On Sideshift - J7.0XNSL		X
1980mm Hook Type Carriage with Integral Sideshift - J7.0XNSL		X
1980mm Hook Type Carriage with Hang-On Sideshift Fork Positioner - J7.0XNSL		X
2030mm Integral Sideshift Carriage		X
2030mm Heavy Duty Integral Sideshift Carriage		X
2030mm Integral Sideshift Carriage with fork positioner - J8.0XNSL J8.0XNL9 J9.0XNL		X
2030mm Heavy Duty Integral Sideshift Carriage with fork positioner - J8.0XNSL J8.0XNL9 J9.0XNL		X
1220mm High Load Backrest	X	
Hook Type Forks 60 x 150 x 1200mm - J7.0XNSL	X	
Hook Type Forks 65 x 200 x 1200mm - J8.0XNSL J8.0XNL9 J9.0XNL	X	
ERGONOMICS	STD	OPT
2531mm Overhead Guard	X	
Standard Construction	X	
Full Steel Cab		X
Grammer Air-Suspension Seat Cloth		X
Grammer Air-Suspension Seat Vinyl	X	
Standard Seat Belt	X	
HI VIS Red Seat Belt		X
HI VIS Red Seat Belt with Interlock		X
Seat Belt with Sequential Interlock		X
Steering Wheel with Spinner Knob	X	
Steering Wheel without Spinner Knob		X

ERGONOMICS (continued)	STD	OPT
Dual Mirrors Side View		X
Rear Drive Handle with Horn Button		X
Recirculation Fan		X
MONOTROL	X	
Integrated Directional Switch		X
12V Outlet - automotive style socket on dash		X
OPERATION	STD	OPT
Audible Reverse Alarm		X
Pedestrian Awareness Light (P.A.L.)		X
Amber Strobe Light*	X	
Key Switch Start	X	
Key Switch Start with Operator Password		X
Push Button Start with Operator Password		X
Keyless Toggle Switch Start with Toggle		X
Operator Password Start		X
Operator Pre-Shift Electronic Checklist		X
Hyster Tracker Wireless Access		X
Hyster Tracker Wireless Verification		X
Hyster Tracker Wireless Monitoring		X
Load Weight Display		X
Low Mount Display		X
High Mount Display		X
Single Pedal Inch Brake	X	
Oil-immersed Brakes	X	
2 Front / 2 Rear Lifting Eyes		X
System Monitoring Package		X
Impact Sensor		X
Hydraulic Accumulator		X
Fire Extinguisher		X
VISIBILITY	STD	OPT
Rear Mounted Color Camera with LCD Display*		X
2 Front and 1 Rear LED Work Lights		X
Two Front and One Rear LED Work Lights with Stop, Tail and Reverse Lights		X
2 Front and 1 Rear LED Work Lights with Stop, Tail, Indicator & Reverse Lights		X
2 Front LED Work Lights with Side, Stop, Tail, & Reverse Lights		X
Keyswitch start	X	
BATTERIES	STD	OPT
358 Volt	X	
Lithium-Ion Type Battery		X
358V - 192Ah Hyster Battery		X
50Hz Three Phase 1 Hour 500/125 Bassi Charger		X
APPEARANCE	STD	OPT
Additional Nameplate		X
Nameplate Modification		X
Parts Manual - CD		X
Parts Manual - Printed		X
SUPPLEMENTAL	STD	OPT
Literature Pack		X
CE Certification	X	
12 Months/2,000 Hours Manufacturer's Warranty 24 Months/4,000 Hours Manufacturer's Powertrain Warranty	X	
36 Months / 6,000 Hours Extended Warranty		X

Other options available through Special Products Engineering Department (SPED). Contact Hyster for details.

The new Hyster® J7.0-9.0XNL series is one of the first zero-emissions electric lift trucks providing 7-9 tonnes of lift capacity with matched diesel engine performance.

Paper, timber, steel, and other heavy-duty industries can now easily adopt these tough electric lift trucks and benefit from quieter operations, fast acceleration, and even more responsive operation. Designed to work in both indoor and outdoor applications, the trucks feature high voltage (360-volt) lithium-ion batteries and have the endurance to support three shift operations.

INTEGRATED LITHIUM-ION BATTERY

Provides maximum power for a full 8-hour shift (in most operations). From flat, the battery can be fully charged within 2 hours. Opportunity charging gives extended run-time.

The lithium-ion battery is maintenance-free with three times the life of standard lead acid batteries.

MOTOR TECHNOLOGY

A powerful 105kW is provided by two multi-phase permanent magnetic motors, delivering best in class performance with excellent energy efficiency and minimal energy loss.

Fully independent hydraulic pump and traction motors never drop in performance when lifting and moving loads.

REGENERATIVE BRAKING

The forklifts feature auto generative braking that uses the electric motor to slow the lift truck, minimising wear on the oil immersed brakes. The regenerative braking system reduces maintenance and extends truck dependability.

HYDRAULICS

The hydraulic system incorporates a multi-stage gear pump with a cast iron body. The oil is double filtered, and the hydraulic tank is integrated into the frame. Lift circuit relief valves give protection from overloads.

RESPONSIVE CONTROL

No need to press the accelerator to rev the engine when lifting, which can enhance operator productivity. Autospeed hydraulics help to maximise overall truck responsiveness and controllability.

Automotive-style pedals have a large, single inch/brake pedal as standard which gives precise low-speed control and smooth electronic inching.

ROBUST CHASSIS AND FRAME

A robust chassis uses a unitised 25mm thick frame structure and the high strength mast design optimises capacity retention at high lifts with excellent visibility and rigidity.

OPERATOR'S COMPARTMENT

TouchPoint mini-levers integrated into the armrest provide hydraulic control and other key functions. The well positioned dash display keeps the operator aware of the lift truck's status at a glance.

The operator compartment has clear unobstructed foot space, adjustable steering column, rear drive handle with horn button and it is easy to access with three-point entry and exit.

Operators sit comfortably thanks to the full suspension seat, and with the benefit of an isolated powertrain, whole body vibration levels remain below 0.6m/s²

VEHICLE SYSTEMS AND WIRING

All vehicle systems are managed electronically to optimise performance and increase reliability. CANbus wiring, sealed connectors and hall effect sensors reduce complexity for truck system communication.

STABILITY

The maintenance-free Hyster® Stability Mechanism™ (HSM™) helps keep the truck stable when making turns and enhances its ability to operate efficiently on rough surfaces

The steer axle is cast steel mounted on polymer bushings for excellent stability and axle articulation.

MAST

2-stage limited free lift or 3-stage full free lift masts deliver excellent through-mast visibility and rigidity and feature sealed full radius load rollers that resist forward, rearward, and lateral forces. Side-thrust wear pads allow for periodic adjustment for lateral clearances. The high strength steel rolled mast channels resist flaring of the mast channel.

CARRIAGE

Wide hook-type carriages optimise visibility and allow the fitting of a wide variety of forks and attachments (pin type available)

STRONG PARTNERS. TOUGH TRUCKS.™

FOR DEMANDING OPERATIONS, EVERYWHERE.

Hyster supplies a complete range of warehouse equipment, IC and electric counterbalanced trucks, container handlers and reach stackers. Hyster is committed to being much more than a lift truck supplier.

Our aim is to offer a complete partnership capable of responding to the full spectrum of material handling issues: Whether you need professional consultancy on your fleet management, fully qualified service support, or reliable parts supply, you can depend on Hyster.

Our network of highly trained dealers provides expert, responsive local support. They can offer cost-effective finance packages and introduce effectively managed maintenance programmes to ensure that you get the best possible value. Our business is dealing with your material handling needs so you can focus on the success of your business today and in the future.



HYSTER EUROPE

Centennial House, Frimley Business Park, Frimley, Surrey, GU16 7SG, England.

Tel: +44 (0) 1276 538500



www.hyster.eu



infoeurope@hyster.com



[/HysterEurope](https://www.facebook.com/HysterEurope)




[@HysterEurope](https://twitter.com/HysterEurope)



[/HysterEurope](https://www.youtube.com/HysterEurope)



HYSTER-YALE UK LIMITED trading as Hyster Europe. Registered Address: Centennial House, Building 4.5, Frimley Business Park, Frimley, Surrey GU16 7SG, United Kingdom. Registered in England and Wales. Company Registration Number: 02636775.

©2020 HYSTER-YALE UK LIMITED, all rights reserved. HYSTER,  and STRONG PARTNERS. TOUGH TRUCKS. are trademarks of HYSTER-YALE Group, Inc.

Hyster products are subject to change without notice. Forklift trucks illustrated may feature optional equipment.